

Homa

FN1-55 Upright



CONTROL AND FUNCTION

Temp. Control	Electronic
External Display	No
Water Dispenser	NA
Super Freeze	Yes
Holiday Mode	NA
Door Alarm	Yes



FRIDGE COMPARTMENT

Defrosting System	NA
Air-flow Cooling	NA
Food Care Drawer	NA
LED Interior Light	NA
Safety Glass Shelf	NA



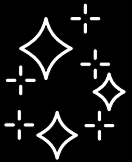
FREEZER COMPARTMENT

Star Rating	4
Defrosting System	Automatic
Number of Drawer	1
Storage Time during Power-off (h)	NA
Freezing Capacity in 24 hrs (Kg)	NA
LED Interior Light	Yes
Ice Twister	Optional



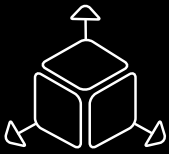
OVERVIEW

Energy Efficiency Class	A / A+ / A++
New European Energy Efficiency Class	NA
Climate Type	SN-T
Noise Level dB(A)/Class	NA
Door Split (fridge / freezer)	NA
Total Gross Capacity (litres)	NA
Total Net Capacity (Cu.ft)	15.5cu.ft.
Fridge Net Capacity (Cu.ft)	-
Freezer Net Capacity (Cu.ft)	15.5cu.ft.
Refrigerant	R600a
Certification	NA



DESIGN AND MATERIAL

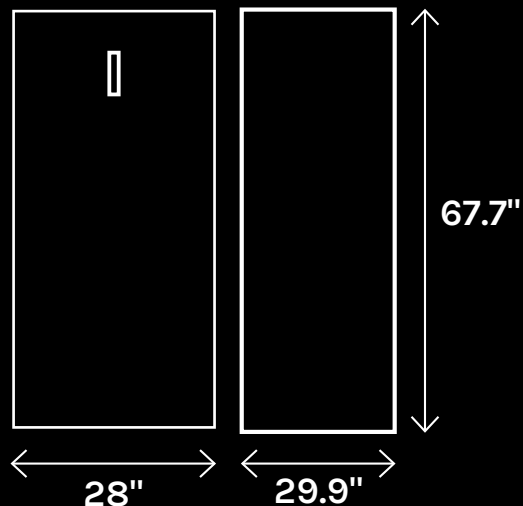
Door Panel	Metal
Handle Type	Recessed
Metal Back	Yes
Wheel	Yes



DIMENSION AND WEIGHT

Product Dimension WxDxH (inch)	28"x29.9"x67.7"
Packing Dimension WxDxH (inch)	29.3"x31"x79.9"
Net Weight (Lbs)	134 lbs
Gross Weight (Lbs)	152 lbs
Loading Capacity (40HQ)	66

Body dimensions (inch)



Doors opening dimensions (cm)

